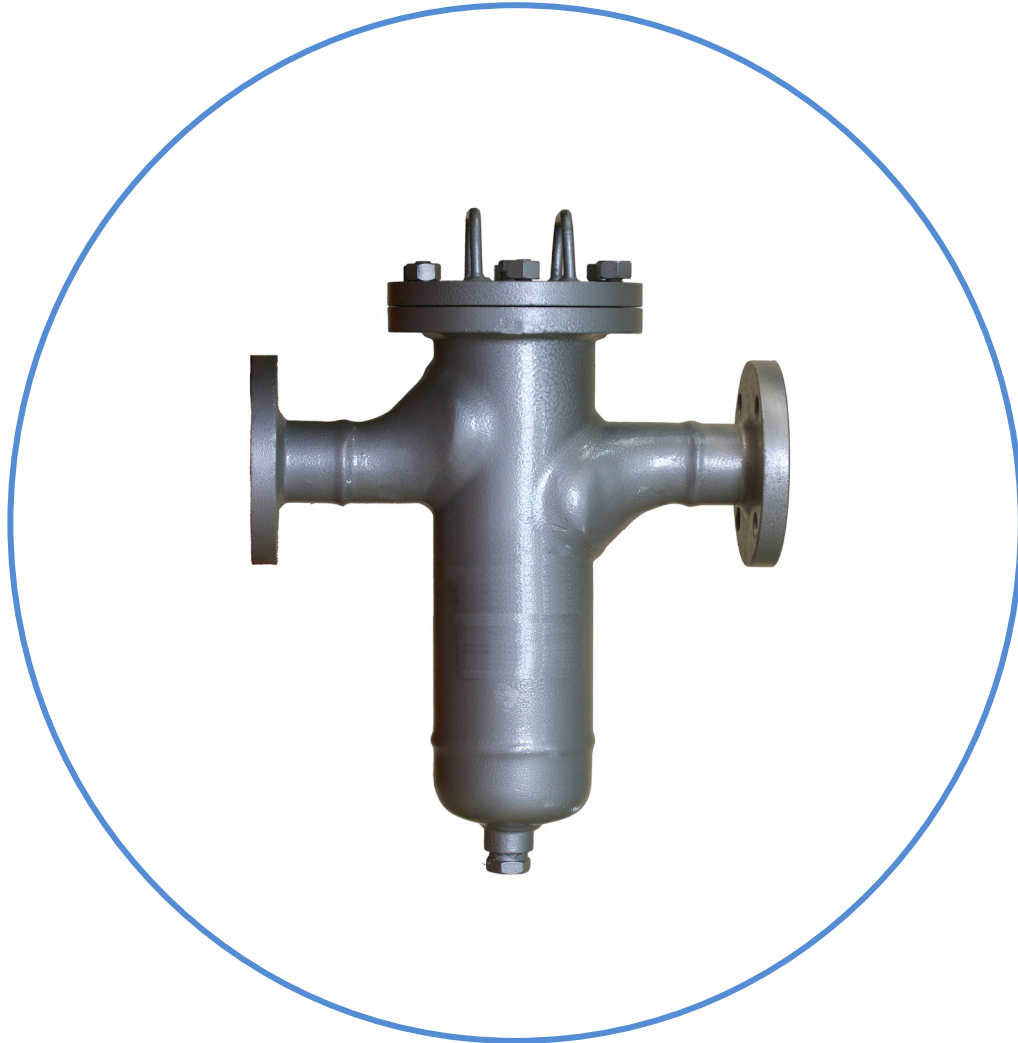


# **BX Series**

## **Basket Fabricated Strainers**

---



## **SUNGOV ENGINEERING PRIVATE LIMITED**

K 27 AMBATTUR INDUSTRIAL ESTATE CHENNAI 600 058 INDIA

PHONE: 0091 44 26359940, 26249546 FAX: 0091 44 26501408

EMAIL: [domesticsales@sungov.com](mailto:domesticsales@sungov.com) WEB: [www.sungov.com](http://www.sungov.com)

## Salient Features

- Dimensional flexibility

## Design Features

- Optimal filtration area to suit specific customer needs
- Optional multiple filter element design for low pressure drop
- Drain/blow off connection, air vent & DP gauge connections furnished with plug as standard
- All welders qualified to ASME Sec IX. PED 97/23/EC directive qualified welders available
- AISI 304 material for screen element standard. Other materials available
- Strainers meet ASME B31.3/ASME Sec VIII Div 1 design code
- Assisted cover opening standard for large sizes
- Strainers designed for vacuum conditions also

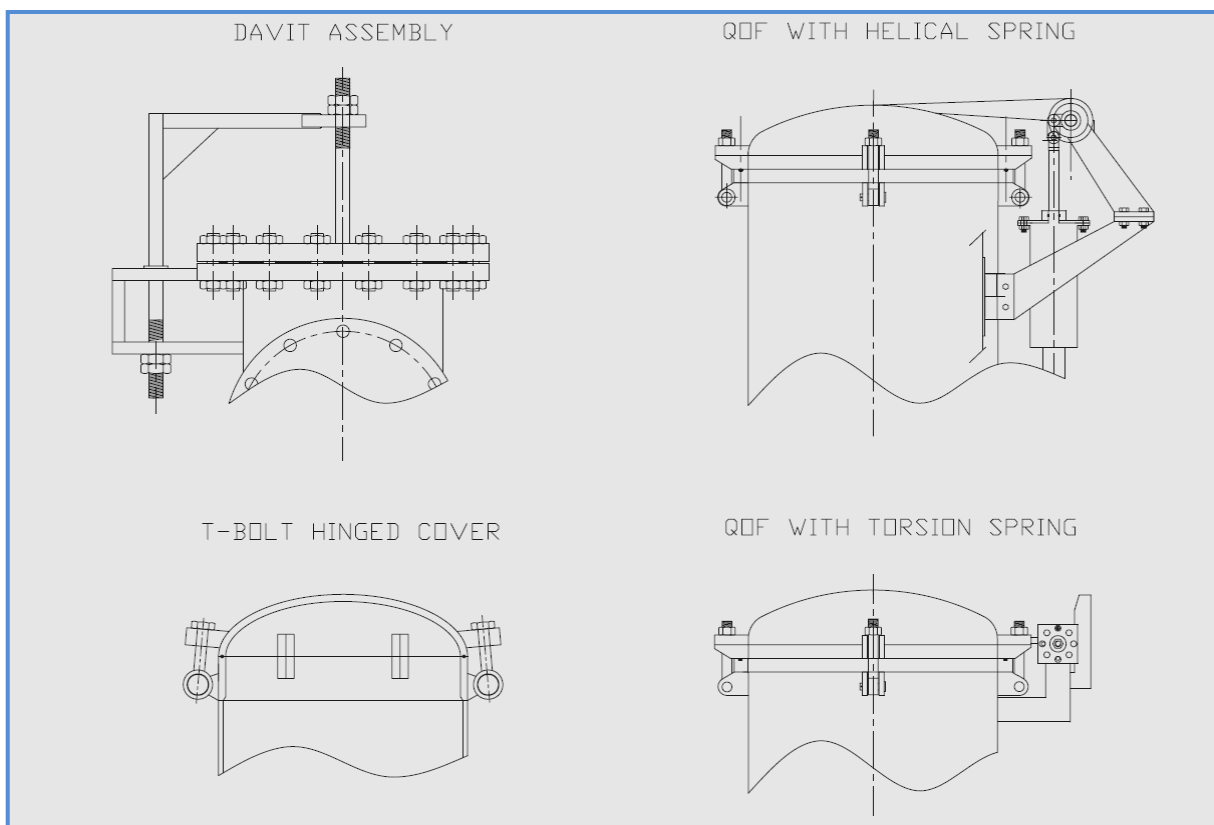
## Size Range

- ½" and larger
- #150 and higher

## Available Materials of Construction

- Carbon steel
- Low carbon steel
- Stainless steel
- Low alloy steel

## Special Cover Designs



## Note

1. Designs are subject to change due to continuous development